



nocospray®

enhanced disinfection: simplified
la désinfection évoluée, simplifiée.



Owner's Manual

www.nocospray.ca

Table of contents

What is the Nocospray® system?	3
How to use.	4
Cleaning and maintenance	5
Do's and Don'ts	6
Troubleshooting	8
Technical information	10
Notes	11
Warranty.	12

Important

- Specific uses and circumstances can vary the number and sequence of steps involved in using the system.
- Always follow your institution's cleaning protocols prior to disinfecting with the Nocospray® System.
- If you have any questions, please contact your A.M.G. Medical representative or AMG customer service at 1-800-361-2210.

What is it?

The Nocospray® System is the combination of a portable, patented, propulsion machine and the hydrogen peroxide-based disinfectant created to act synergistically with it.

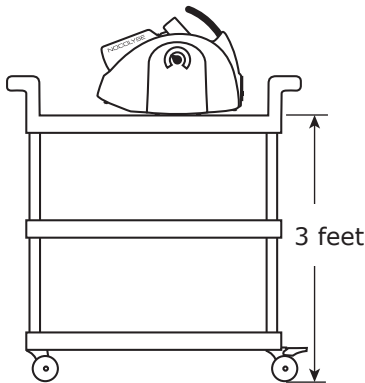
When used as directed the system can disinfect all hard surfaces in an enclosed area.

The dose applied is determined by the volume of the room to treat.



How to use

1. Remove soft surfaces and disposable items from the room (ex. bed sheets, open food containers).
2. Clean the room as per your institution's current protocol for manual cleaning.
3. Close windows and excessive ventilation (ex. negative pressure) systems.
4. Make sure that all hard surfaces are accessible to the Nocolyse gas. For example, open any doors in the room (ex. bathroom door, drawer). Lean the mattress on its edge so that as much of the surface as possible can be disinfected.
5. Place the Nocospray on a table or cart (approx. 3 feet above the ground) with the nozzle unobstructed and oriented toward the center of the room.
6. Calculate the room volume in meters cubed (m^3). For a sporicidal effect, multiply the volume by 7.



7. Attach the bottle of Nocolyse.
 - Ensure that there is enough liquid to treat the room.
 - Make sure you hear the 'Click'.
 8. Plug in the machine and turn on the power at the back (light should be green).
 9. Set the touchpad to the correct volume (m³). The chosen volume will be illuminated. If two lights are illuminated, the chosen volume is in the mid-point between the two.
 10. Make sure you can leave the room easily. No one should be in the room during the Nocospray disinfection.
 11. Press the button on the side of the machine – the 15 second alarm will begin to sound.
 12. Leave the room and close the door.
 13. Note the time that you can re-enter the room. Block or lock the room with appropriate signage or indicators.
-

Cleaning and maintenance

If necessary, clean the exterior of the machine with soap and water. Harsh chemicals like bleach can damage the finish but the machine will still function. No disinfection is necessary.

Dos and Don'ts

Do Get the most out of your Nocospray System by reviewing the booklet and the online training tools periodically. This will help ensure proper consistent use of the system and that you achieve the best possible results.

You can find the online tools at

www.nocospray.ca/en/buyer-tools

You will need to request a username and password through the site to gain access.

Do Discuss where you are using your system with the AMG Team. They are in the best position to help you adapt protocols to your facility or department.

Do Mark the opening dates on the bottles of Nocolyse as soon as you open them. The bottle should be used within 2 months of opening.

Do Shedule semi-annual inspection with your A.M.G. Medical representative.

Do Remove and close the bottle of Nocolyse when the machine is not in use or is being moved.

Do Keep your machine on a dedicated cart with the Nocolyse, and any accessories. This is the ideal way to minimize the risk of accidental damage and to make sure it is always ready to be deployed.

Don't

Use any liquid other than Nocolyse products with your Nocospray machine. Doing so may damage the machine and compromise your results. Any damage caused by using a liquid other than Nocolyse is not covered by any warranty or service contract.

Don't

Open your machine. The Nocospray machine is portable and easy to use. But it is still made up of electronics and moving parts. Opening the machine can damage the internal mechanism. Any damage caused by opening or altering the machine is not covered by any warranty or service contract.

Don't

Abuse the machine. Damage caused by abuse, reckless or irresponsible treatment is not covered by any warranty. Examples of this type of behavior include pulling the plug out of the wall from a distance, or using the cord as a handle. Reminder: a dedicated cart with the Nocolyse, and any accessories is the ideal way to protect it from accidental damage and to make sure it is always ready to be deployed.

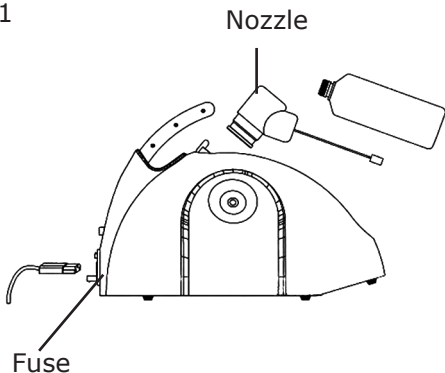
Troubleshooting

Emergency Stop

The device can be stopped at any moment by pressing on the button at the rear to the off position (green light goes off) or unplugging the machine.

If you are entering the room while the machine is running or before the end of the appropriate contact time, make sure that you are wearing personal protective equipment and that you spend the least amount of time possible in the room. No one should be permanently installed in the room (patient or staff) until the entire contact time has elapsed. Please refer to the instructions for use for more details.

Fig. 1



If:

The device does not start and the green light of the switch On/Off is not lit.

Try this:

- Verify that the machine is plugged in securely and that there is electricity flowing to the outlet.
- Verify that the fuse on the back the device is not damaged (see fig. 1).

The device works but Nocolyse consumption is higher or lower than expected.

- Verify that the nozzle is in place and that it is not blocked (fig. 1).
- Verify that the volume selected is the correct volume for the treatment.
- Discuss significant variations in volume with your AMG representative.

Technical information

Nocospray Machine 1000 m³

Model: 007-020

Power: 1000 W

Voltage: 115 V

Reservoir capacity: 1 liter

Weight (Full): 6.5 kg

Weight (Empty): 5.8 kg

Dimensions: 50 cm x 33 cm x 37 cm

Warranty

MedPro Defense® Nocospray System 1 year limited warranty

A.M.G. Medical Inc. warrants the Nocospray against defects in material or workmanship. A.M.G. Medical's warranty does not cover product abuse or normal wear. Use of the Nocospray with any other product than Nocolyse voids this warranty. Repairs, modifications or use of parts other than those supplied by A.M.G. Medical without prior written authorization will void this warranty.

A.M.G. Medical's warranty is for the original user only.

For information on extended warranties, available service contracts and repairs, please contact your AMG representative.

Questions?
1-800-361-2210
www.nocospray.ca or
www.medprodefense.com